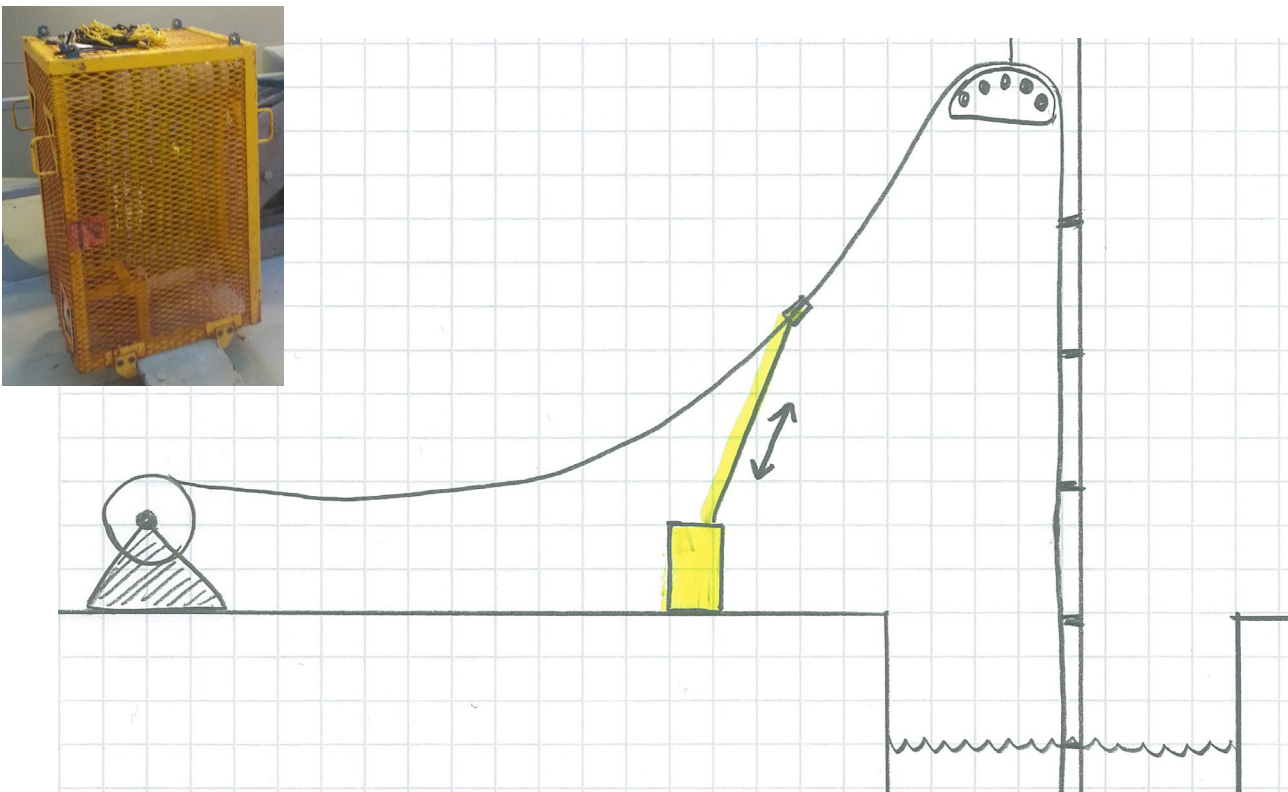


Umbilical Tensioner System

Acting as a dynamic holdback, this compact unit will keep the slack of your deployed hose or umbilical under control.



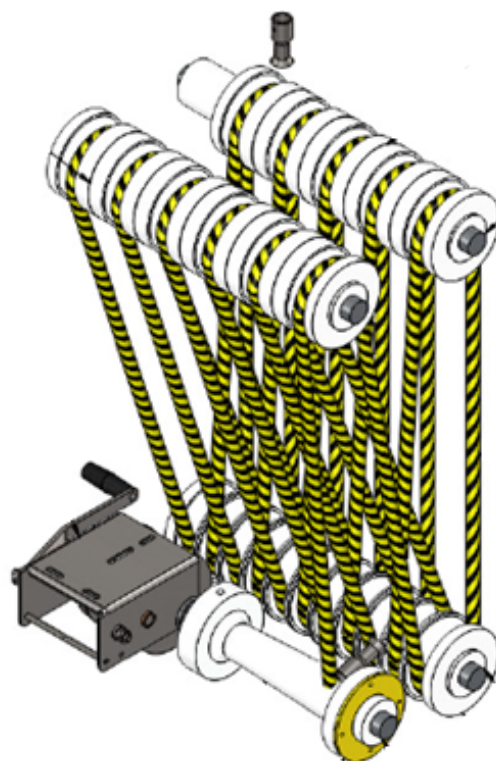
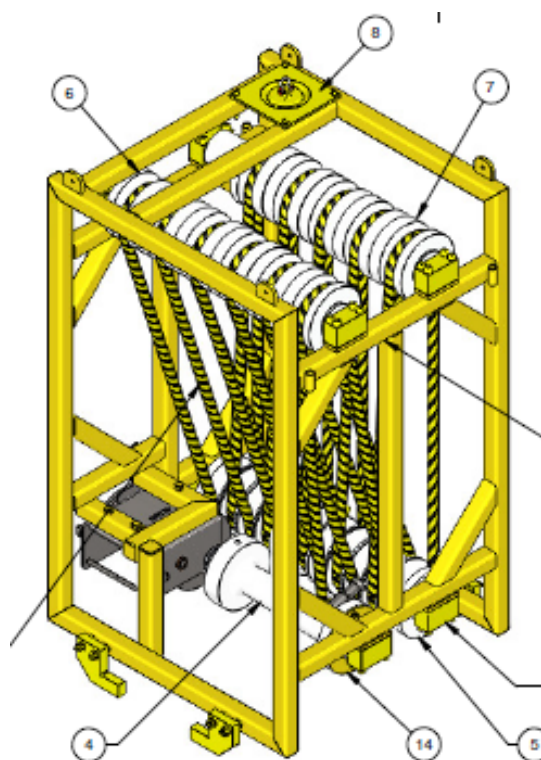
Umbilical Tensioner System overview

Specifications

- Weight: 150 kg
- Dimensions: 680 x 640 x 1096 [mm]
- Rec. max. load: 140 kg
- Manufactured: 2010

Features

- Designed to be clamped onto a skidding track
- Provides approx. ± 4 meters dynamic length
- Is fitted with a handlebar for manual setting of pretension – should be 80 kg



Documentation on request

Drawings

User manuals / Operation procedures

For more information please contact:
 Technical Manager, Bernt Gramstad

bernt.gramstad@tiosgroup.com

TIOS AS
 Lagerveien 23
 4033 Stavanger
 +47 51 81 71 00

www.TIOSgroup.com

© TIOS 2018. All rights reserved.
 v 1.0.

TIOS Rental Pool | 2