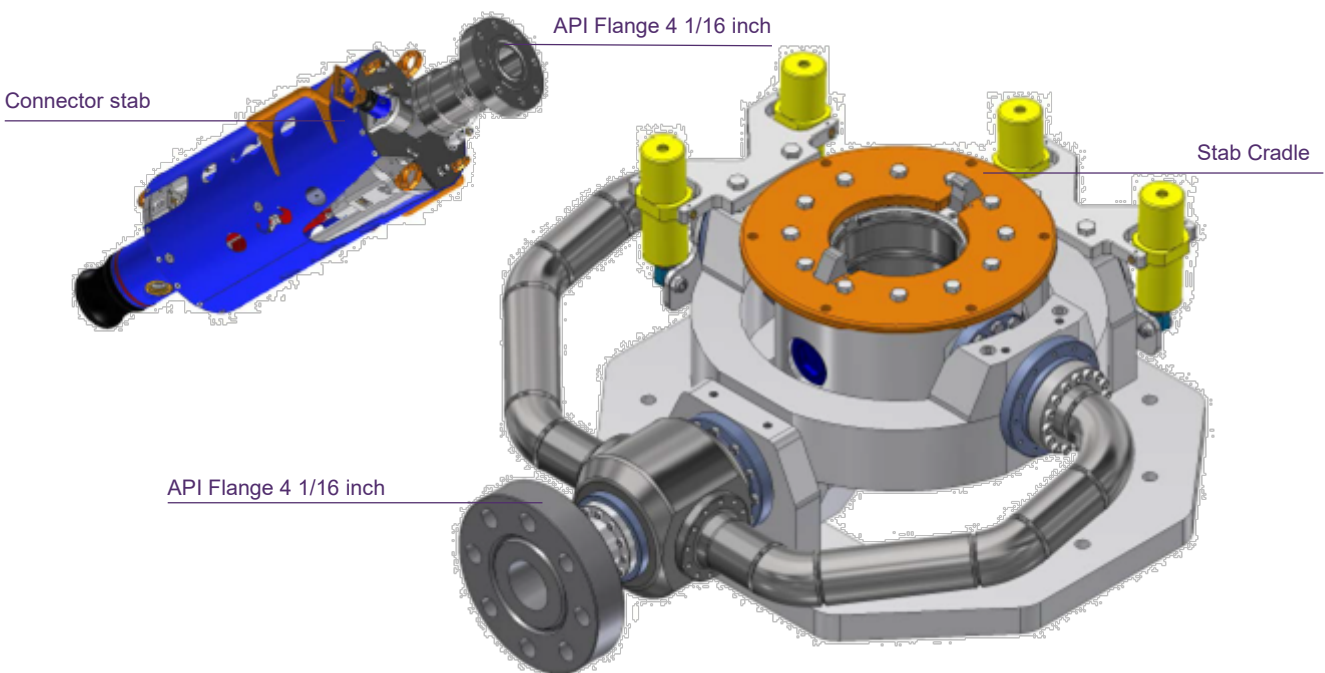


High-volume Pumping System

For applications where a high inflow of fluids to the well is desired; particularly useful for scale squeeze operations.



High Volume Pumping System overview

Specifications

- Max working pressure: 690 bar
- Flowrate: 7000 L/min
- Max water depth: 3000 m
- Hs limit - launch/recovery: 5.0 m
- Hs limit – operational: 5.0 m

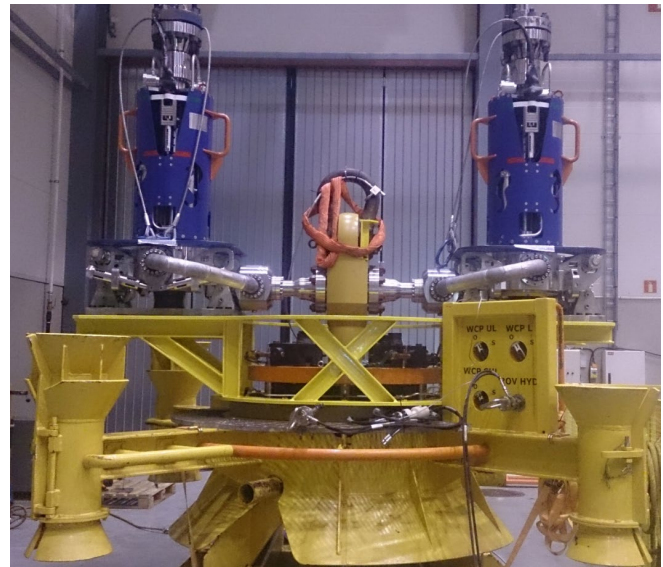
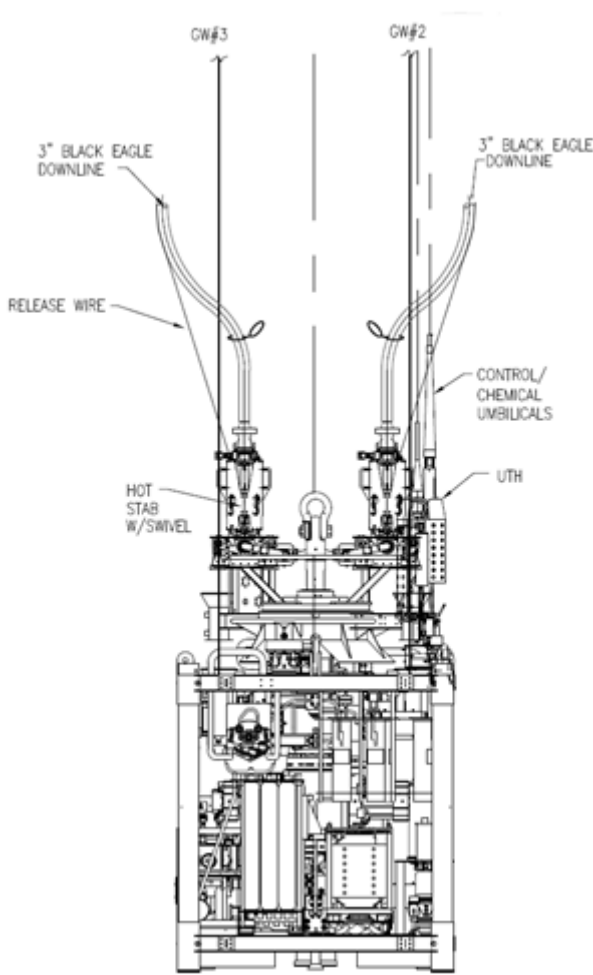
On request higher flow rates can be agreed.

Features

- Two 3" bore hoses from vessel enables a delivery over 7m³/min of fluid to the main and annular section of the well.
- Auto Release Mechanism adjustable between 1 - 4 ton pull force which will be activated if excessive pull in the hose/wire system occurs.
- Emergency release function which will be activated with an excessive pull force of approx. 12 ton in the hose.
- ROV Hydraulic and Auto Release function allows for a safe and spillage free disconnection.
- Swivel included on each connector stab to allow free movement of hose and allow for easier handling.

System overview

- Prepared for use on TFMC Well Control Package.
- Pumping cap (modified TFMC WCP running tool)
- ROV hydraulic operated lock/unlock and valve opening/ closing function on connector stabs
- Hose deployed through moon pool
- Guide wires used to support hose in water column
- Topside Storm Loop Heave Compensation
- Cradle has a spring loaded system to allow for up to a 20 degrees omnidirectional tilt
- System includes deck mounded parking and flushing receptacles for the auto release stabs



Documentation on request

Drawings

User manuals /
Operation procedures

For more information please contact:
Technical Manager, Bernt Gramstad

bernt.gramstad@tiosgroup.com

TIOS AS
Lagerveien 23
4033 Stavanger
+47 51 81 71 00

www.TIOSgroup.com

© TIOS 2018. All rights reserved.
v 1.0.

TIOS Rental Pool | 2