

## Umbilical/Riser Moonpool Chute

*A large chute for deploying or recovering umbilicals and risers. It is articulated to allow deployment through the moonpool. It also be mounted for use over the vessel side or stern.*



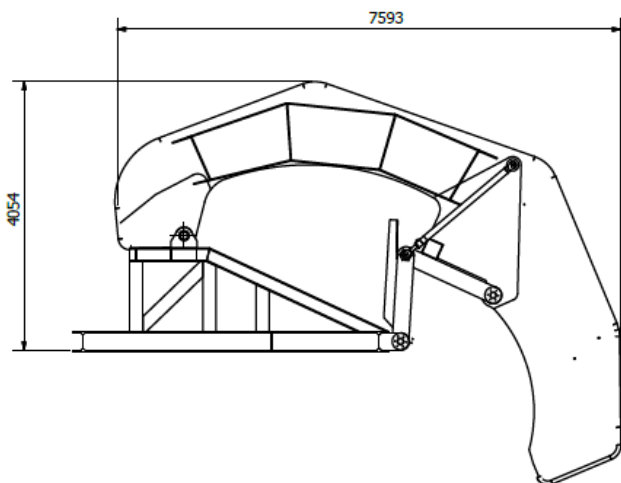
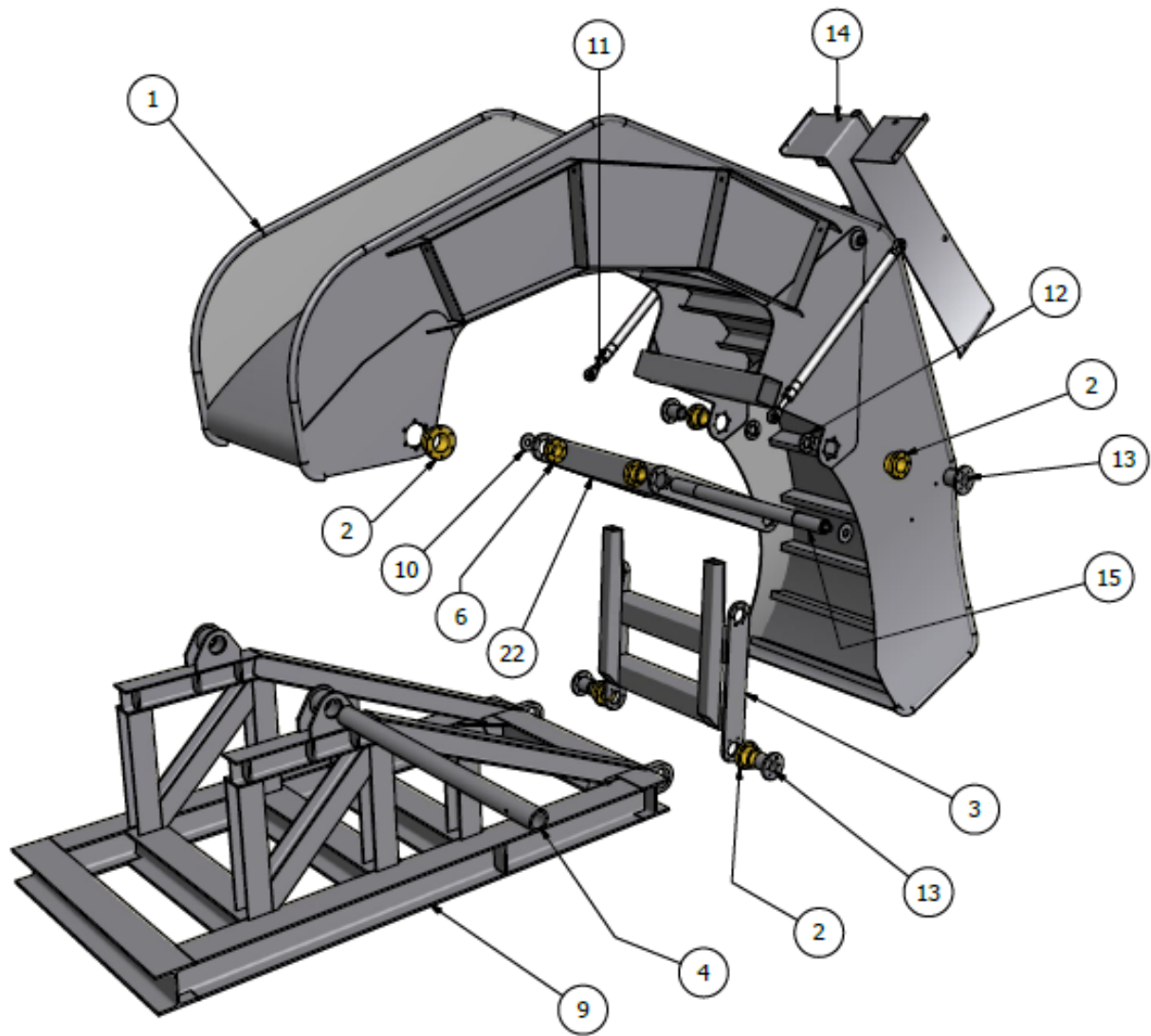
## Umbilical/Riser Moonpool Chute overview

### Specifications

- Weight: 10 500 kg
- Dimensions: 7.6 x 2.5 x 6.0 [m]
- Minimum Bending Radius: 4 m
- Max allowable tension: 50 ton w/FOS=2.0
- Manufactured: 2012
- Material: Carbon Steel
- Surface Coating: NORSOK M-501
- Design Code: DNV-2.7.3  
DNV rules for classification of ships Part 3 Ch. 1.  
DNV RP-C201

### Features

- Articular stinger to allow closing of moonpool hatches during transit.
- Replaceable inserts that can be tailored for the OD of the product.



## Documentation on request

Drawings  
 Design calculation report  
 Material certificates  
 Welding certificates  
 Lifting certificate

For more information please contact:  
 Technical Manager, Bernt Gramstad

[bernt.gramstad@tiosgroup.com](mailto:bernt.gramstad@tiosgroup.com)

TIOS AS  
 Lagerveien 23  
 4033 Stavanger  
 +47 51 81 71 00

[www.TIOSgroup.com](http://www.TIOSgroup.com)

© TIOS 2018. All rights reserved.  
 v 1.0.